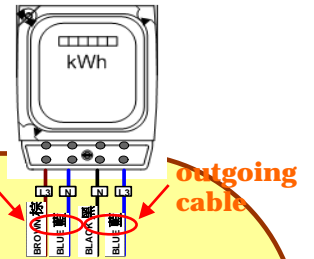


New Cable Colour Code & CLP Equipment Phase Identification Standards

Following the amendment of “Code of Practice for the Electricity (Wiring) Regulations” issued in 2007, the “Guide to Supply and Metering Arrangement on Customer’s Internal Distribution System” issued by CLP has been revised. The main changes are summarised as below: -

Arrangements of new Cable Colour Code at terminals of meters



Example 1: Single-phase Meter

Cable	Colour
Incoming	Old
Outgoing	Old

Cable	Colour
Incoming	New
Outgoing	New

Cable	Colour
Incoming	Old
Outgoing	New

Cable	Colour
Incoming	New
Outgoing	Old

Label & coding identification marked in L1 & N, L2 & N or L3 & N (for this example) is **recommended**

Label and coding identification marked in L1 & N, L2 & N or L3 & N (for this example) shall be provided as interfacing requirements

Remark : When new cable colour code (Brown, Blue) is adopted on the incoming and outgoing cables of single-phase meter, label & coding identification marked in L1/N, L2/N or L3/N shall be provided by customer on the cables for phase identification.

Example 2: Three-phase Meter

Cable	Colour
Incoming	Old
Outgoing	Old

Cable	Colour
Incoming	New
Outgoing	New

Cable	Colour
Incoming	Old
Outgoing	New

Cable	Colour
Incoming	New
Outgoing	Old

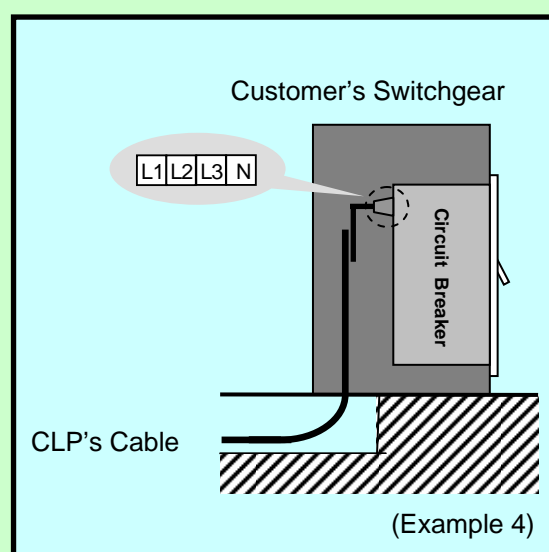
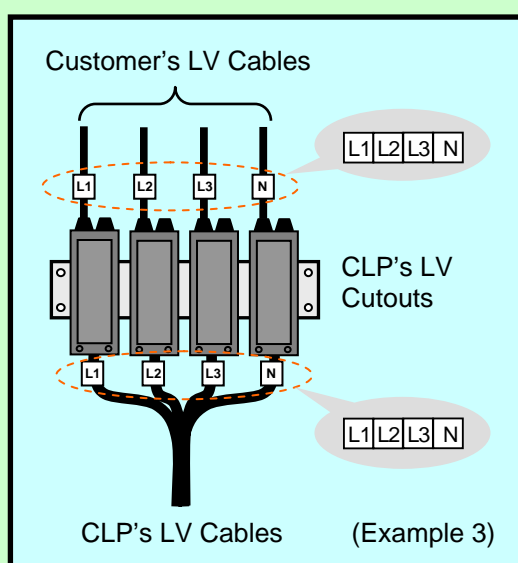
Label & coding identification marked in L1, L2, L3 and N is **recommended**

Label and coding identification marked in L1, L2, L3 and N shall be provided as interfacing requirements

Remark: According to the requirements of “Amendment No.1:2007 to the Code of Practice for the Electricity (Wiring) Regulations”, customer shall display a yellow warning notice where cables in new colour code are installed in an existing installation with old colour coded cables.

☑ Label and coding identification marked in L1, L2, L3 and N shall be provided on the customer side's equipment/cables at the supply point interface between customer and CLP under following situations: -

- 1) Modification, alteration or repair at the existing supply point interface between customer and CLP; or
- 2) Establishment of new supply point interface between customer and CLP.



☑ Label and coding identification should be clearly legible and durable, and should be in contrast to the colours of the insulations.

Updated "Guide to Supply and Metering Arrangement on Customer's Internal Distribution System" has been posted on CLP website (www.clponline.com.hk) (Select "Customer Service" → "Open Account" → "Meter Installation Guideline" → "Guide to Supply and Metering Arrangement on Customer's Internal Distribution System")

Remark : This leaflet is for introduction and reference only. Please refer to CLP website (www.clponline.com.hk) for detailed information .

Copyright ©2007 CLP Power Hong Kong Limited