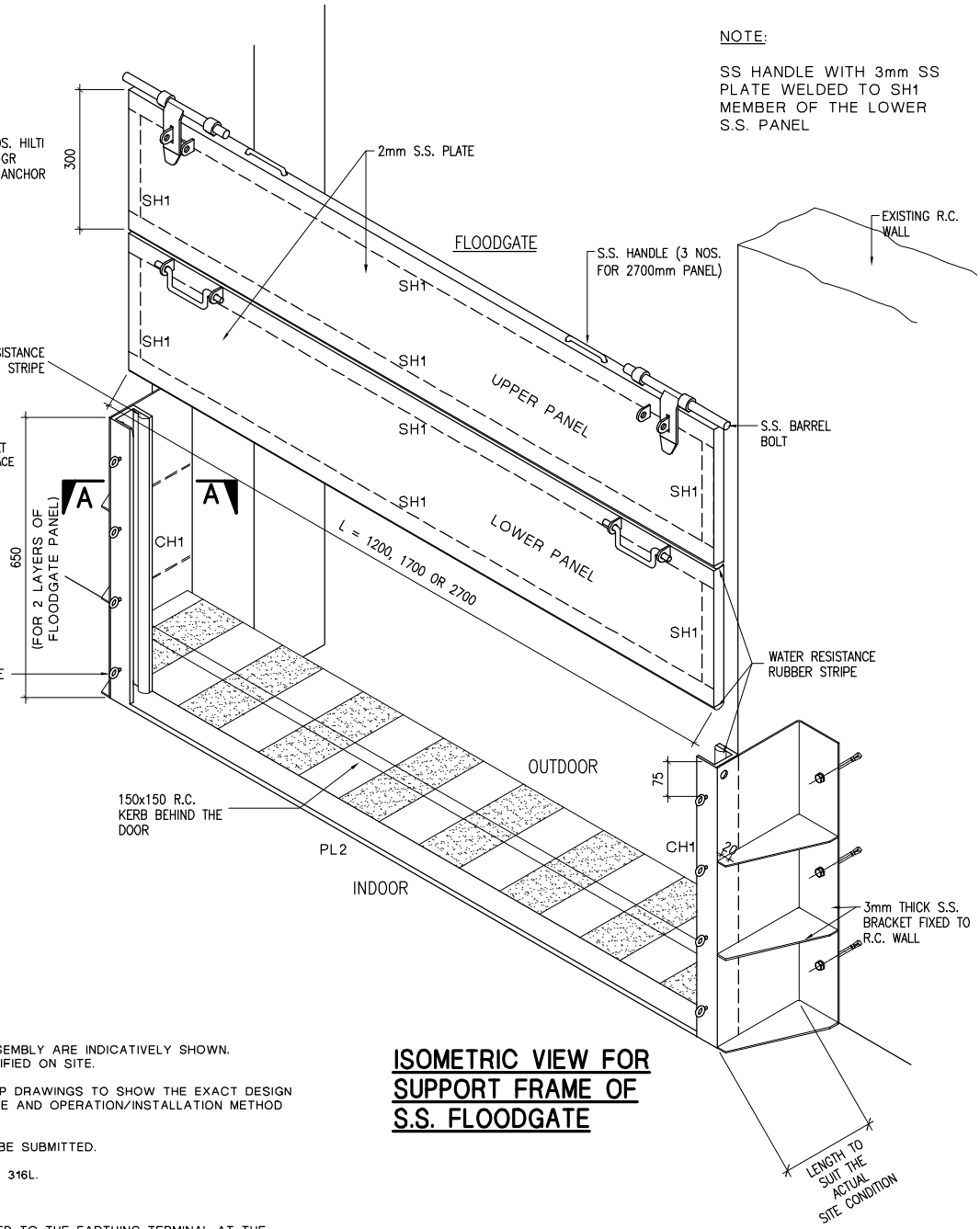


SECTION A - A

NOTE: CONTACT SURFACES BETWEEN S.S. BRACKET INCLUDING PL2 AND THE CONCRETE SURFACE SHALL BE APPLIED WITH 2 LAYERS OF BITUMINOUS PAINT BEFORE INSTALLATION (TOTAL 4 COATS).



NOTE:
SS HANDLE WITH 3mm SS PLATE WELDED TO SH1 MEMBER OF THE LOWER S.S. PANEL

NOTES:

1. THE STEEL MEMBER SIZES AND ASSEMBLY ARE INDICATIVELY SHOWN. ACTUAL DIMENSIONS SHALL BE VERIFIED ON SITE.
2. THE CUSTOMER SHALL SUBMIT SHOP DRAWINGS TO SHOW THE EXACT DESIGN WITH SIMILAR WATER SEAL FEATURE AND OPERATION/INSTALLATION METHOD STATEMENT.
3. STRUCTURAL CALCULATION SHALL BE SUBMITTED.
4. STAINLESS STEEL SHALL BE GRADE 316L.
5. ALL DIMENSIONS ARE IN mm.
6. ALL STEEL WORKS MUST BE BONDED TO THE EARTHING TERMINAL AT THE DISTRIBUTION BOARD WITH A COPPER CONDUCTOR NOT LESS THAN 6mm².
7. MINIMUM 2mm FILLET WELD ALL ROUND FOR ALL STEEL MEMBER CONNECTIONS. EXCEPT OTHERWISE SHOWN.

STAINLESS STEEL MEMBER SIZE SCHEDULE FOR FLOODGATE

MEMBER MARK	LENGTH	1200	1700	2700
PL2		38x3 PLATE	38x3 PLATE	73x3 PLATE
*CH1		30x38x3 BENT CHANNEL	30x48x3 BENT CHANNEL	30x73x3 BENT CHANNEL
SH1		25x25x2	35x35x3	60x60x3

NOTE: * DENOTES THE S.S. BENT CHANNEL HEIGHT SHALL BE CO-ORDINATED WITH THE ACTUAL THICKNESS OF THE RUBBER STRIPE.

ISOMETRIC VIEW FOR SUPPORT FRAME OF S.S. FLOODGATE



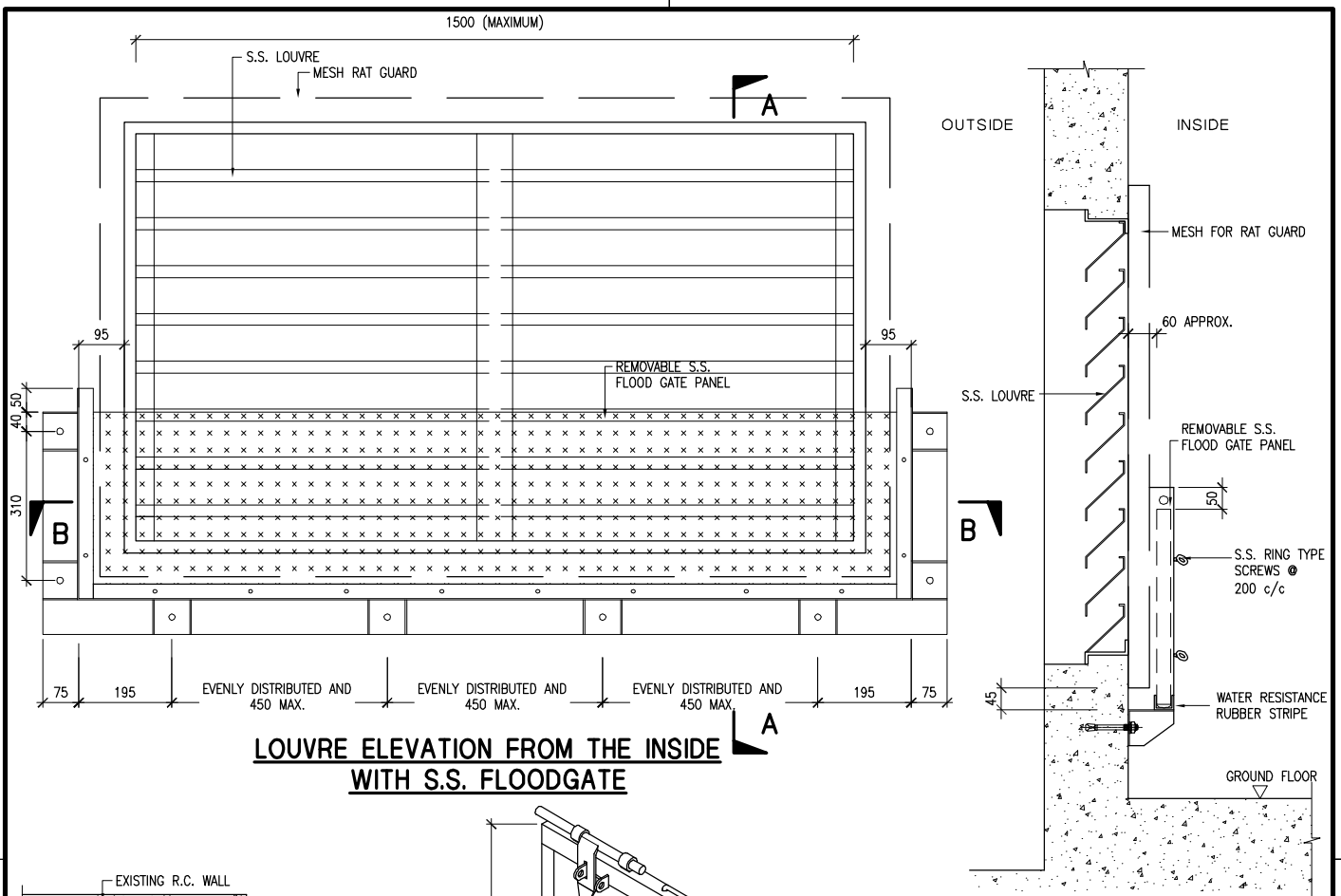
REVS.	A	B	C	D	E	F	G	H	J	K	L
INITIAL											

TITLE :
DETAILS OF STAINLESS STEEL FLOODGATE FOR SINGLE/DOUBLE LEAF DOOR

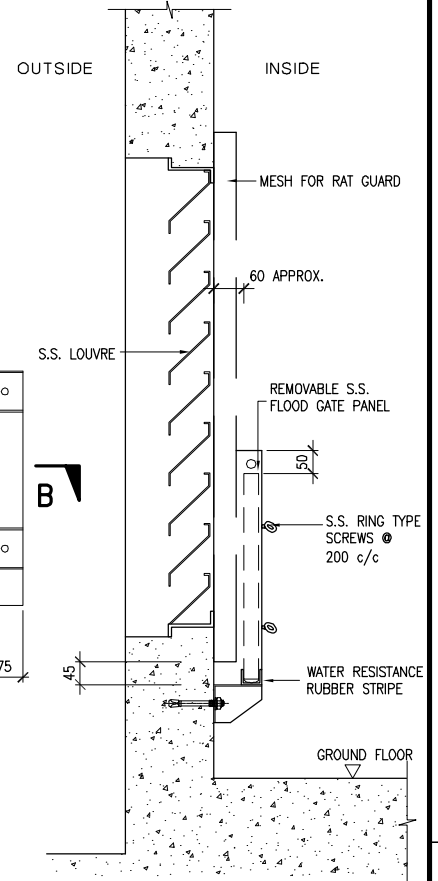
DRAWN: M S FONG	DATE: 4 SEP, 2015
CHECKED: M S FONG	APPROVED: GARY KWOK
SCALE: N. T. S.	SHEET(S) IN SET: 3

PROJECT NO.	CONTRACT NO.
-------------	--------------

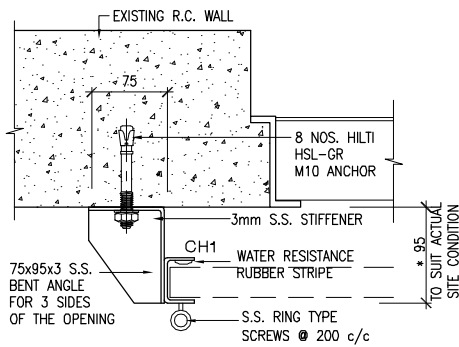
ASSET MANAGEMENT DRG. NO. T C O P 1 0 2 5 0 D E 3 3 0 1 1 2 0 1 - A



LOUVRE ELEVATION FROM THE INSIDE WITH S.S. FLOODGATE

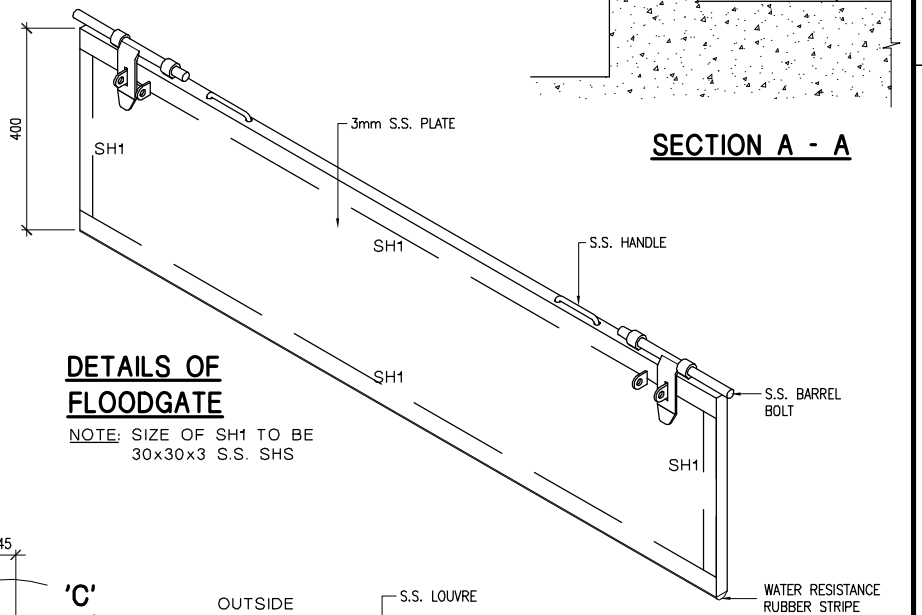


SECTION A - A



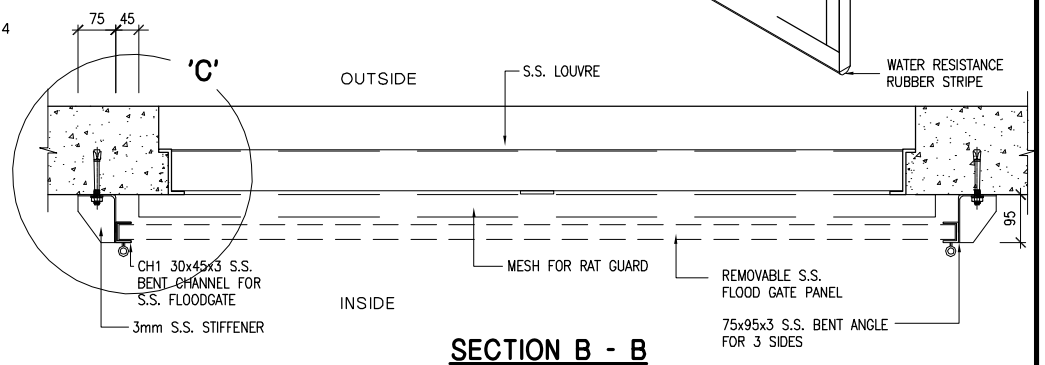
DETAIL 'C'

NOTE: CONTACT SURFACES BETWEEN S.S. BRACKET AND THE CONCRETE SURFACE SHALL BE APPLIED WITH 2 LAYERS OF BITUMINOUS PAINT BEFORE INSTALLATION (TOTAL 4 COATS).



DETAILS OF FLOODGATE

NOTE: SIZE OF SH1 TO BE 30x30x3 S.S. SHS



SECTION B - B

NOTE:
1. FOR GENERAL NOTES AND DETAIL OF S.S. FLOOD GATE, SEE DRAWING T-COP-10250-D-E33-0112-01.



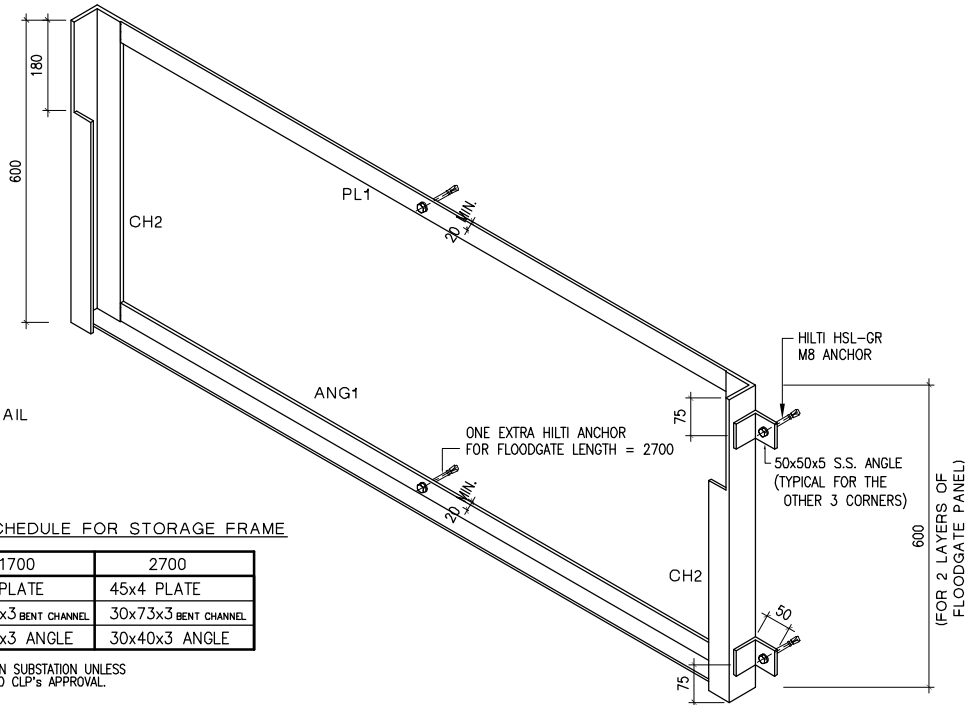
REVS.	A	B	C	D	E	F	G	H	J	K	L
INITIAL											

TITLE : **DETAILS OF STAINLESS STEEL FLOODGATE FOR GROUND FLOOR LOUVRE**

DRAWN: M S FONG	DATE: 4 SEP., 2015
CHECKED: M S FONG	APPROVED: GARY KWOK
SCALE: N.T.S	SHEET(S) IN SET: 3

PROJECT NO. _____ CONTRACT NO. _____

ASSET MANAGEMENT DRG. NO. T / COP / 10250 / D / E33 / 0112 / 02 - A



NOTE:

- FOR GENERAL NOTES AND DETAIL OF S.S. FLOODGATE, SEE DRAWING T-COP-10250-D-E33-0112-01.

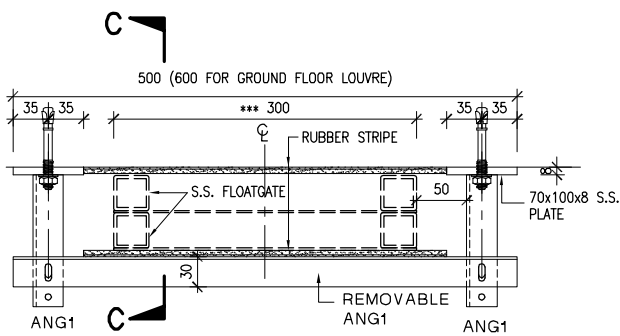
STAINLESS STEEL MEMBER SIZE SCHEDULE FOR STORAGE FRAME

MEMBER MARK	LENGTH (L)	1200	1700	2700
PL1		25x4 PLATE	30x4 PLATE	45x4 PLATE
CH2		30x38x3 BENT CHANNEL	30x48x3 BENT CHANNEL	30x73x3 BENT CHANNEL
ANG1		30x30x3 ANGLE	30x30x3 ANGLE	30x40x3 ANGLE

NOTE: * OPTION 1 IS PREFERRED TO BE INSTALLED IN SUBSTATION UNLESS THERE IS SPACE LIMITATION AND SUBJECT TO CLP'S APPROVAL.

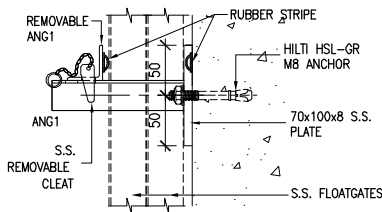
OPTION 1 *

ISOMETRIC VIEW OF STORAGE FRAME FOR S.S. FLOODGATE IN HORIZONTAL ARRANGEMENT

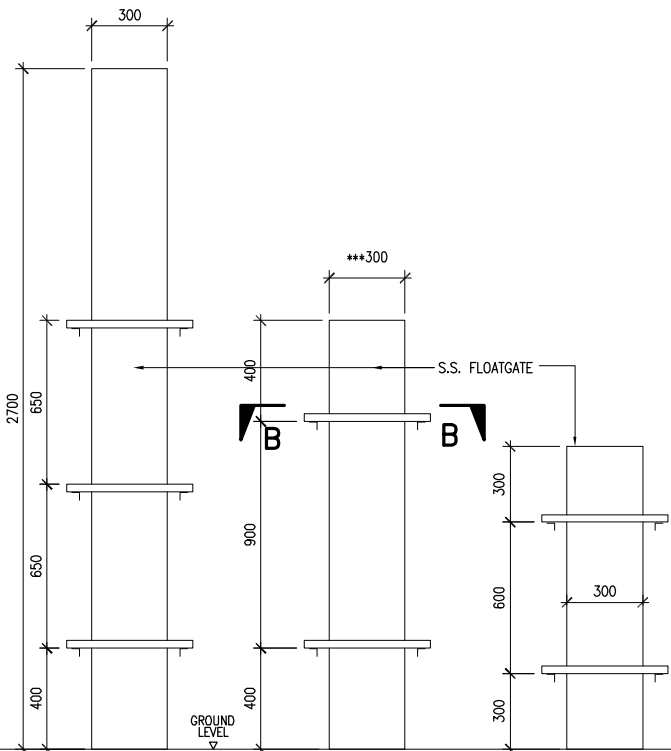


SECTION B - B (FOR OPTION 2)

NOTE: *** DENOTES 400 FOR S.S. FLOODGATE FOR GROUND FLOOR LOUVRE.



SECTION C - C (FOR OPTION 2)



OPTION 2 ** FRONT VIEW FOR STORAGE FRAME FOR S.S. FLOODGATE IN VERTICAL ARRANGEMENT

NOTE: *** DENOTES 400 FOR S.S. FLOODGATE FOR GROUND FLOOR LOUVRE.



REVS.	A	B	C	D	E	F	G	H	J	K	L
INITIAL											

TITLE :
STAINLESS STEEL FLOODGATE STORAGE FRAME INSTALLATION DETAILS

DRAWN: M S FONG	DATE: 4 SEP., 2015
CHECKED: M S FONG	APPROVED: GARY KWOK
SCALE: N. T. S.	SHEET(S) IN SET: 3

PROJECT NO. _____ CONTRACT NO. _____

ASSET MANAGEMENT DRG. NO. T / COP / 10250 / D / E33 / 0112 / 03 - A